

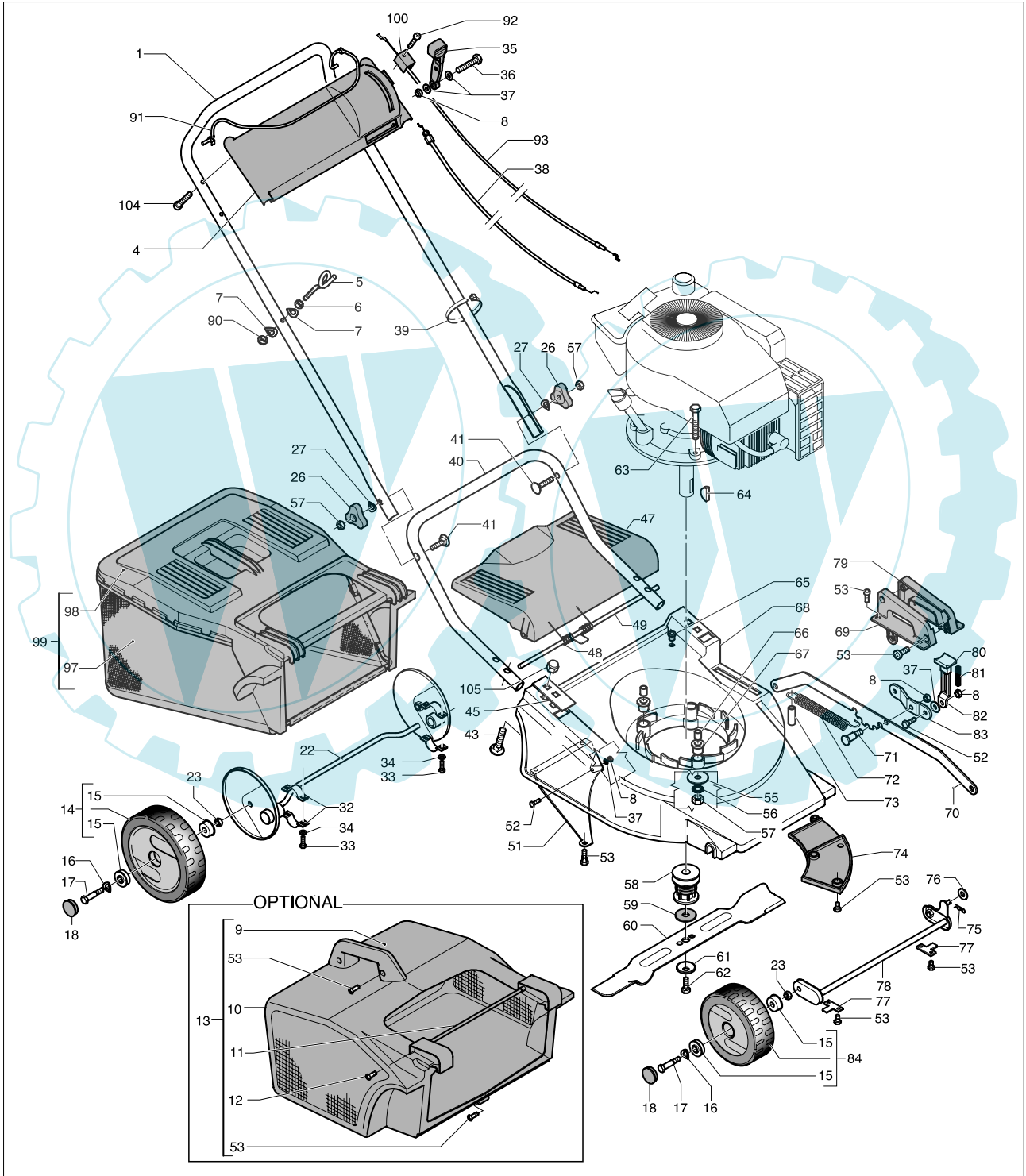
brand	MEP
-------	------------

date	JAN/02	SHEET 1/3
------	--------	-----------

Model

MP - ER 500

Product number



The Electrolux Group. The world's No.1 choice.

Ihr Ersatzteilspezialist im Internet

brand	MEP
-------	------------

date	JAN/02	SHEET 2/3
------	--------	-----------

MP - ER 500

Pos.	PN ELX	PN MEP	DESCRIZIONE	DESCRIPTION	DESCRIPTION	Q.ty	NOTE
1	531205589	10135663	manico superiore	upper handle	guidon superieur	1	
4	531205607	10135770	plancia comandi	dash-board	planche	1	MP
4	531205608	10135772	plancia comandi	dash-board	planche	1	ER
5	531205169	10121470	gancio	cable hook	crochet	1	
6	531207165	10501200	dado	nut	ecrou	1	M6 H6 UNI 5587-6S-ZB
7	531204961	10115900	rondella ondulata	washer	rondelle	2	6,5E
8	531208492	20282100	dado	nut	ecrou	5	M5 H7 UNI7473- ZB
9	531208207	20135323	cestello sinistro	left side grass catcher	bac côte gauche	1	
10	531208203	20135313	cestello destro	right side grass catcher	bac côte droit	1	
11	531205547	10135330	tirante	tie rod	entretoise	1	D.8 x 330
12	531207937	10878000	vite	screw	vis	2	TCTC 3,9x16
13	531205545	10135303	cestello completo	grass catcher	bac complet	1	
14	531204461	09135294	ruota posteriore	posterior wheel	roue posterieur	2	D210/26 TACCH.
15	531205214	10121900	cuscinetto ruota	ball-bearing	roulement	8	
16	531206644	10275100	rosetta	washer	rondelle	4	UNI 8840- B12(13/24/0,8
17	531205042	10120090	vite ruota	screw	vis	4	
18	531204936	10114804	tappo ruota	plug	bouchon	4	
22	531205538	10135283	assale posteriore	rear axle	assieu arriere	1	
23	531207978	20101700	dado	nut	ecrou	4	M10 H8 UNI 5588-6S ZB
26	531204923	10114303	pomolo	knob	poignée	2	
27	531207090	10402402	rondella ondulata	washer	rondelle	2	8,5
32	531206652	10281200	supporto superiore	bearing	support	4	
33	531208217	20135730	vite	screw	vis	4	TC.TC 2F D 5x25
34	531207170	10501250	rondella piana	washer	rondelle	4	D.4/12/1
35	531205139	10121263	leva acceleratore	accelerator lever	levier de accelerateur	1	
36	531207836	10830000	vite	screw	vis	1	TE M5x25 UNI 5739-8,8-ZB
37	531206666	10284700	rondella piana	washer	rondelle	4	5/15/1,5 ZB
38	531207754	10800400	cavo acceleratore	accelerator cable	cable accelerateur	1	mm 1385/80 B&S
38	531206033	10146730	cavo acceleratore	accelerator cable	cable accelerateur	1	mm 1100/80 TEC/HON
39	531205581	10135600	fascetta	clamp	colier	1	160X4,5
40	531205496	10135113	manico inferiore	handle lowere	guidon inferieur	1	
41	531207089	10402401	vite	screw	vis	2	TTSQ M8x50 TF ZB
43	531207842	10830800	vite	screw	vis	4	TTSQ M6x40 1/2F ZV
45	531205582	10135640	piastrina	plate	plaque	2	
47	531205485	10135071	paratoia	deflector	deflecteur	1	MP
47	531205486	10135072	paratoia	deflector	deflecteur	1	ER
48	531206180	10155190	molla paratoia	spring	ressort	1	
49	531205493	10135080	tirante	tie rod	entretoise	1	D.8 x 417
51	531205469	10135050	convogliatore	deflector	deflecteur	1	
52	531207838	10830300	vite	screw	vis	2	TE M5x16 UNI 5739-8,8-ZB
53	531208216	20135720	vite	screw	vis	1	TCTC2FD.5x16 AC
55	531205552	10135380	rondella piana	washer	rondelle	3	8x30x3ZP
56	531207981	20106200	rondella dent.	washer	rondelle	6	D.8E DIN 6798
57	531207982	20106300	dado	nut	ecrou	5	M8 H8 UNI 5587-6S ZB



brand	MEP
-------	------------

date	JAN/02	SHEET 3/3
------	--------	-----------

MP - ER 500

Pos.	PN ELX	PN MEP	DESCRIZIONE	DESCRIPTION	DESCRIPTION	Q.ty	NOTE
58	531207276	10548300	supporto lama	bearing blade	support lame	1	
59	531207243	10531700	rondella friz.	washer	rondelle	1	17,2x50x1,5+0,1
60	531205072	10120680	lama	blade	lame	1	
61	531207237	10530900	rondella elastica	washer	rondelle	1	11x50x2,5
62	531206649	10280901	vite lama	screw	vis	1	TE D.3/8"UNFX 65(8.8)
63	531207105	10407600	vite	screw	vis	3	TE M8x70 UNI 5737-8,8-ZB
63	531207105	10407600	vite	screw	vis	2	TE 8X70
	531207925	10876300	vite	screw	vis	1	TE 8X100
64	531204907	10100900	chiavetta	key	clavette	1	4x6,5 UNI6606 WODRUF
65	531205153	10121353	tappo	plug	bouchon	1	
66	531205549	10135350	distanziale	spacer	entretoise	3	H.35
67	531205548	10135343	bussola	bush	douille	3	
68	531204442	09135010	scocca	deck	chassis	1	MP
68	531204443	09135012	scocca	deck	chassis	1	ER
69	531205501	10135160	maniglia destra	right handle	guidon droit	1	MP
69	531205502	10135162	maniglia destra	right handle	guidon droit	1	ER
70	531205529	10135233	asta alzaruote	rod	tige	1	
71	531205526	10135210	perno	pin	pivot	1	
72	531205530	10135240	molla	spring	ressort	1	
73	531205531	10135250	distanziale	spacer	entretoise	1	H.82
74	531205534	10135263	carter	housing	carter	1	
75	531206653	10281400	copiglia	cotter pin	goupille	2	1,8 x 33
76	531204906	10069200	rondella ondulata	washer	rondelle	1	D8
77	531205536	10135270	supporto ass.ant.	support	support	2	
78	531205051	10120290	assale anteriore	front axle	assieu avant	1	
79	531205510	10135170	maniglia sinistra	left handle	guidon gauche	1	MP
79	531205511	10135172	maniglia sinistra	left handle	guidon gauche	1	ER
80	531205519	10135180	pulsante	push-botton	bouton	1	MP
80	531205520	10135182	pulsante	push-botton	bouton	1	ER
81	531205527	10135220	molla maniglia	spring	ressort	1	
82	531205524	10135190	asta sgancio	rod	tige	1	
83	531205525	10135200	leva sgancio	lever	levier	1	
84	531204371	09120084	ruota anteriore	front wheel	roue anterieur	2	D170/26 TACCH.
90	531208491	20281800	dado	nut	ecrou	1	M6 H8 UNI7473-ZB
91	531205618	10135893	maniglia freno	clutch lever	manette	1	
92	531208217	20135730	vite	screw	vis	1	TC.TC 2F D 5x25
93	531205191	10121610	cavo freno	cable	cable	1	
93	531205192	10121620	cavo freno	cable	cable	1	B&S 1097/148
93	531205813	10140950	cavo freno	cable	cable	1	TECNA 1420/141,5 HONDA 1130-152
97	531208259	20140373	sacco nero	sac	sac	1	
98	531205763	10140393	coperchio sacco con telaio	sack frame upper	cadre du sac uperieur	1	
99	531204522	09140413	sacco completo	grass catcher	sac complete	1	
100	531208043	20121983	supporto	support	support	1	
104	531208844	20734900	vite	screw	vis	4	TCTC 4,3x16 FIX ZB
105	531206305	10160240	dado	nut	ecrou	4	M6-DIM986-ZBCN

